

Symmetra™ PX

250/500 kW 400/480 V

Receiving and Unpacking

2/2019



Legal Information

The Schneider Electric brand and any registered trademarks of Schneider Electric Industries SAS referred to in this guide are the sole property of Schneider Electric SA and its subsidiaries. They may not be used for any purpose without the owner's permission, given in writing. This guide and its content are protected, within the meaning of the French intellectual property code (Code de la propriété intellectuelle français, referred to hereafter as "the Code"), under the laws of copyright covering texts, drawings and models, as well as by trademark law. You agree not to reproduce, other than for your own personal, noncommercial use as defined in the Code, all or part of this guide on any medium whatsoever without Schneider Electric's permission, given in writing. You also agree not to establish any hypertext links to this guide or its content. Schneider Electric does not grant any right or license for the personal and noncommercial use of the guide or its content, except for a non-exclusive license to consult it on an "as is" basis, at your own risk. All other rights are reserved.

Electrical equipment should be installed, operated, serviced, and maintained only by qualified personnel. No responsibility is assumed by Schneider Electric for any consequences arising out of the use of this material.

As standards, specifications, and designs change from time to time, please ask for confirmation of the information given in this publication.

Table of Contents

Important Safety Instructions — SAVE THESE	
INSTRUCTIONS.....	5
Safety Precautions	6
Storage Conditions.....	7
Shipping Weights and Dimensions	8
Receiving	9
Moving to Installation Site	10
Unpack the Cabinets.....	11
Find the Documentation	14

Important Safety Instructions — SAVE THESE INSTRUCTIONS

Read these instructions carefully and look at the equipment to become familiar with it before trying to install, operate, service or maintain it. The following safety messages may appear throughout this manual or on the equipment to warn of potential hazards or to call attention to information that clarifies or simplifies a procedure.



The addition of this symbol to a “Danger” or “Warning” safety message indicates that an electrical hazard exists which will result in personal injury if the instructions are not followed.



This is the safety alert symbol. It is used to alert you to potential personal injury hazards. Obey all safety messages with this symbol to avoid possible injury or death.

DANGER

DANGER indicates a hazardous situation which, if not avoided, **will result in** death or serious injury.

Failure to follow these instructions will result in death or serious injury.

WARNING

WARNING indicates a hazardous situation which, if not avoided, **could result in** death or serious injury.

Failure to follow these instructions can result in death, serious injury, or equipment damage.

CAUTION

CAUTION indicates a hazardous situation which, if not avoided, **could result in** minor or moderate injury.

Failure to follow these instructions can result in injury or equipment damage.

NOTICE

NOTICE is used to address practices not related to physical injury. The safety alert symbol shall not be used with this type of safety message.

Failure to follow these instructions can result in equipment damage.

Please Note

Electrical equipment should only be installed, operated, serviced, and maintained by qualified personnel. No responsibility is assumed by Schneider Electric for any consequences arising out of the use of this material.

A qualified person is one who has skills and knowledge related to the construction, installation, and operation of electrical equipment and has received safety training to recognize and avoid the hazards involved.

Safety Precautions

⚠ WARNING

HAZARD OF ELECTRIC SHOCK, EXPLOSION, OR ARC FLASH

- Do not unpack the units before the time of installation.
- Cover the units and store the units in a temperature controlled indoor environment free of conductive contaminants and humidity, where the units are protected from moisture until the time of start-up. Moisture inside the cabinet can create hazardous short circuits.

Failure to follow these instructions can result in death, serious injury, or equipment damage.




NOTICE

RISK OF EQUIPMENT DAMAGE

- Wait until the system is ready to be powered up before installing batteries in the system. The time duration from battery installation until the UPS system is powered up must not exceed 72 hours or 3 days.
- Batteries must not be stored more than six months due to the requirement of recharging. If the UPS system remains de-energized for a long period, Schneider Electric recommends that you energize the UPS system for a period of 24 hours at least once every month. This charges the batteries, thus avoiding irreversible damage.

Failure to follow these instructions can result in equipment damage.

Storage Conditions

		
<p>Storage temperature: -15 °C to 40 °C (5 °F to 104 °F) for systems with batteries -25 °C to 55 °C (-13 °F to 131 °F) for systems without batteries</p>	<p>Relative humidity: 0–95% Non-condensing</p>	<p>Altitude: 0–15000 m (0–50000 ft)</p>

Shipping Weights and Dimensions

Modules	Weight kg (lbs)	Height mm (in)	Width mm (in)	Depth mm (in)
Power module (SYPM25KD)	48 (106)	285 (11.22)	585 (23.03)	935 (36.81)
Battery unit (SYBTU2- PLP, SYBTU2-PLPLL)	27 (60)	178 (7.08)	108 (4.25)	610 (24)
Static bypass switch 250kVA (SYSW250KD)	105 (231)	930 (36.61)	780 (30.71)	915 (36.02)
Static bypass switch 500kVA (SYSW500KD)	134 (295)	930 (36.61)	780 (30.71)	915 (36.02)

Cabinets	Weight kg (lbs)	Height mm (in)	Width mm (in)	Depth mm (in)
I/O cabinet (SYIOF500KD)	375 (827)	2135 (84.06)	745 (29.33)	1210 (47.64)
I/O cabinet with maintenance bypass (SYIOF500KMBR)	752 (1658)	2150 (84.65)	1120 (44.09)	1270 (50)
Power module cabinet (SYPF250KD)	280 (617)	2135 (84.06)	750 (29.53)	1210 (47.64)
Battery cabinet (SYBFXR8)	431 (950)	2150 (84.65)	1120 (44.09)	1270 (50)
Bottom feed cabinet (SYBFF)	186 (410)	2135 (84.06)	745 (29.33)	1210 (47.64)
Battery side car (SYBSC)	185 (408)	2150 (84.65)	745 (29.33)	1210 (47.64)
Battery breaker cabinet (SYBBE, SYBBE-UL)	365 (805)	2135 (84.06)	750 (29.53)	1210 (47.64)

Receiving

External Inspection

When the shipment arrives, inspect the shipping material for any signs of damage or mishandling. Check tilt and impact indicators. Do not attempt to install the system if a damage is apparent. If any damage is noted, contact Schneider Electric and file a damage claim with the shipping agency within 24 hours.

Compare the components of the shipment with the bill of lading. Report any missing items to the carrier and to Schneider Electric immediately.

Verify that labelled units match the order confirmation.

Moving to Installation Site

NOTICE

RISK OF EQUIPMENT DAMAGE

Do not tip the cabinets more than 45 degrees.

Failure to follow these instructions can result in equipment damage.

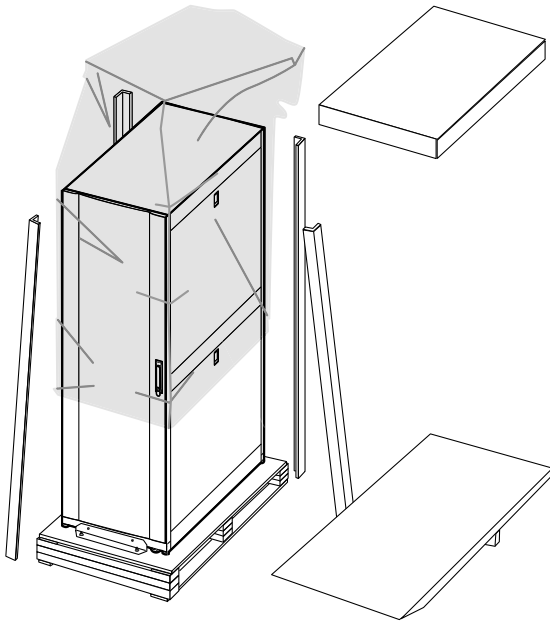
If the height of the cabinets exceed the height of the doorway, remove the cabinet from the pallet before moving the cabinet to the installation site.

If the width of the I/O cabinet with maintenance bypass 1003 mm (39.47 in) exceeds the width of the doorway, unpack the cabinet and remove the front door of the maintenance bypass. This reduces the width to 982.7 mm (38.67 in). The maintenance bypass can also be separated from the I/O cabinet. Contact Schneider Electric for more information.

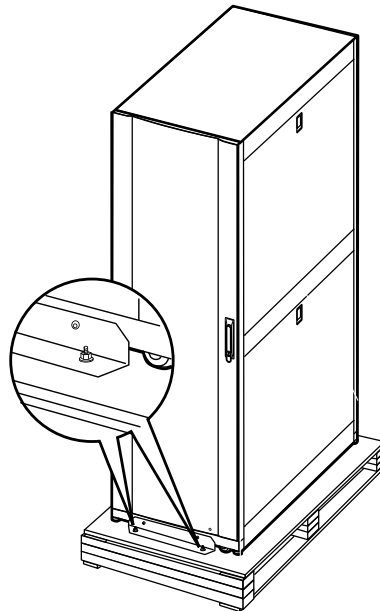
Unpack the Cabinets

1. Remove the plastic wrap, the cardboard covers, and the ramp. Save the ramp for later use.

Front View of the Cabinet



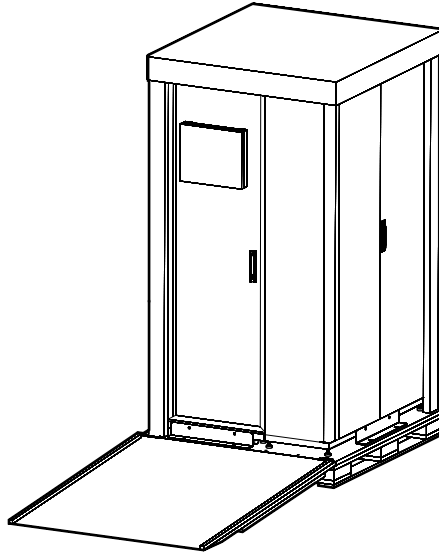
Front View of the Cabinet



2. Remove the stabilizing brackets from the front and the rear of the cabinets.

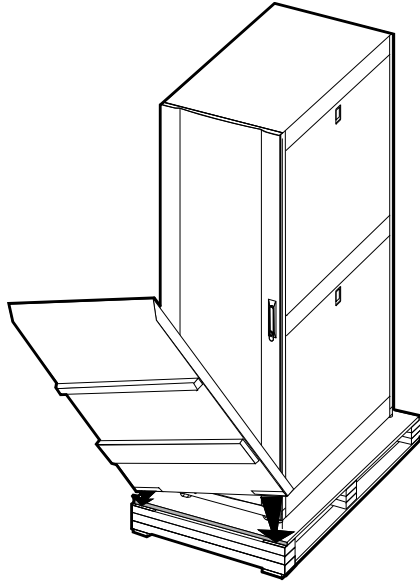
3. Connect the ramp to the pallet:
 - For the I/O cabinet with maintenance bypass: Let the two taps on the ramp slide into the holes on the front of the pallet.

Front View of the Cabinet



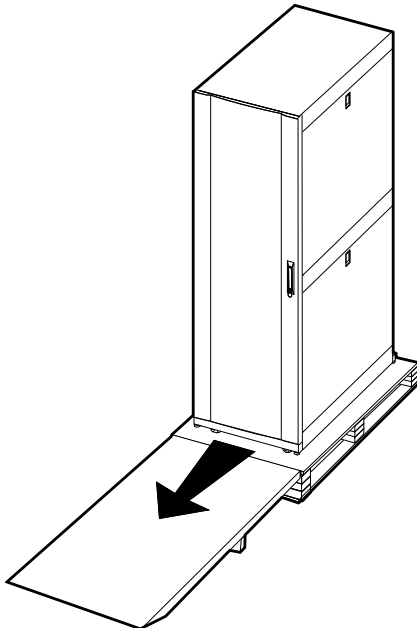
- For the other cabinets: Align the hook-and-loop tape strips on the ramp with the tape strips on the pallet

Front View of the Cabinet



4. Wheel the cabinet off the pallet.

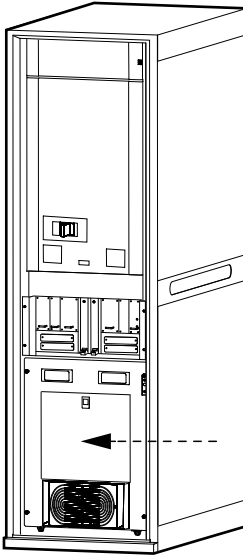
Front View of the Cabinet



Find the Documentation

1. Open the documentation storage tray in the bottom of the I/O cabinet.

Front View of the I/O Cabinet



Schneider Electric
35 rue Joseph Monier
92500 Rueil Malmaison
France

+ 33 (0) 1 41 29 70 00



* 9 9 0 - 2 7 4 9 D - 0 0 1 *

As standards, specifications, and design change from time to time, please ask for confirmation of the information given in this publication.

© 2008 – 2019 Schneider Electric. All rights reserved.

990-2749D-001